

VEROTEC

Electronics Packaging



Total Access Cases

CUSTOM TOTAL ACCESS CASES

TecServ+ is the vehicle by which Verotec delivers its value added services. These fall within 5 main categories and are described below. When it comes to Total Access Cases, we've worked with many customers in the past to design, manufacture and help bring to market modified and custom versions of our standard products – a small selection of these are pictured below. If you have any special Total Access Case requirements, please contact our sales office.



ENGINEERING SERVICES:

- + Complete review of commercial, electro-mechanical, environmental and regulatory product requirements with customer.
- + Import of STEP, IGES, DWG & DXF file formats
- + Mechanical and electrical design using latest CAD software
- + 3D Modelling to allow conceptual testing before production
- + Component selection from a vast library of parts

MANUFACTURING SERVICES:

- + Prototype / pre-production samples using small batch shop
- + Modification of standard catalogue products (including machining, CNC punching, laser cutting, painting & silk-screening)
- + Manufacture of custom / bespoke products (including fabrication, machining, CNC punching, plating, painting & silk-screening)
- + Assembly & kitting of components
- + Integration & mechanical / electrical testing of complex systems

COMPLIANCE SERVICES:

- + Validation of product design and/or specification
- + Advice on environment legislation (RoHS, Reach, Weee etc.)
- + In-house pre-compliance testing for CE marking (Safety, EMC)
- + Supply of product technical construction file
- + Testing & certification of a product at an approved test house (for EMC, shock & vibration, altitude, temperature, humidity etc.)

LOGISTICAL SERVICES:

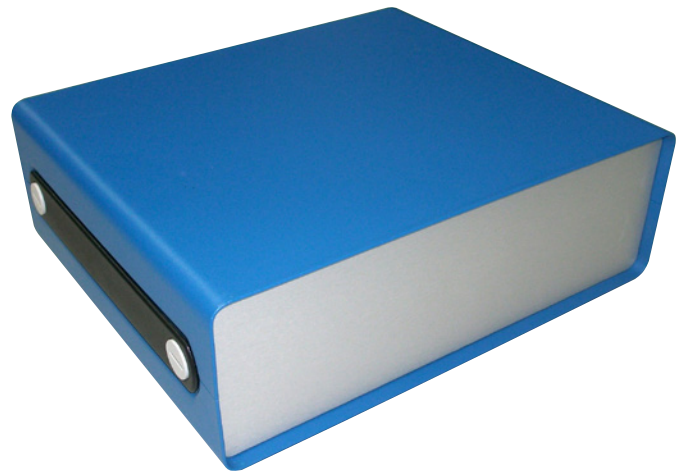
- + Express manufacturing service for quick turnaround of urgent orders
- + Special / bespoke packaging for safe transport of goods
- + Scheduled orders (including JIT and KAN BAN systems)
- + Stock holding & distribution
- + Exporting (including export packaging, land/sea/air transportation, freight forwarding, customs documentation & shipping manifests)

PROJECT MANAGEMENT SERVICES:

- + Initial project consultation
- + Capability and feasibility study
- + Estimation of project cost and leadtime
- + Management of design process (specification to validation)
- + Management of manufacturing process (prototype to production)
- + Cost reduction programmes throughout product life cycle



Custom half-width, size 5 total access case with machined front and rear panels - instrumentation application.



Customised size 3 total access case with blue painted top and bottom covers and black painted side castings - instrumentation application.

APPLICATIONS

The total access case covers all applications requiring a stylish, high quality desktop case for instruments requiring all round access. Concealed front panel fixings are incorporated to the design to give a clean frontal appearance. Combined with its accessories it offers the ultimate in versatility and accessibility.

CONSTRUCTION

Total accessibility is achieved by the simple release of the four side retaining screws. The front panel, chassis side members and rear panel form an integral chassis which can be locked on prior to assembly of the top and bottom covers. Anti slip, moulded tilt feet give an improved viewing angle of the front panel.

MATERIAL SPECIFICATION

Top, bottom & covers: 0.9mm Zintec coated steel
 Front and rear panels: 3mm satin anodised aluminium
 Chassis side member: 0,9m Zintec coated steel
 Side infill: Alloy die casting
 Feet: Moulded in ABS mid grey
 Colours: Top and bottom cover, light grey
 BS4800 00A01;
 Infills and feet, mid grey
 BS4800 00A05

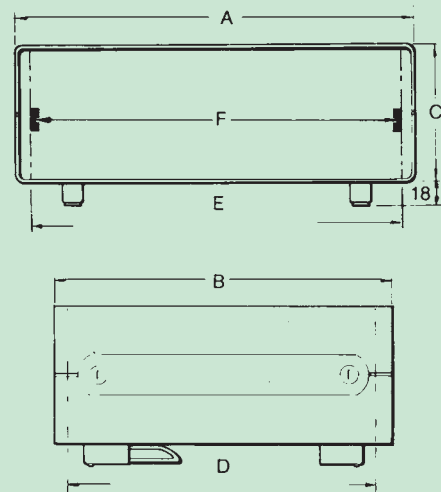
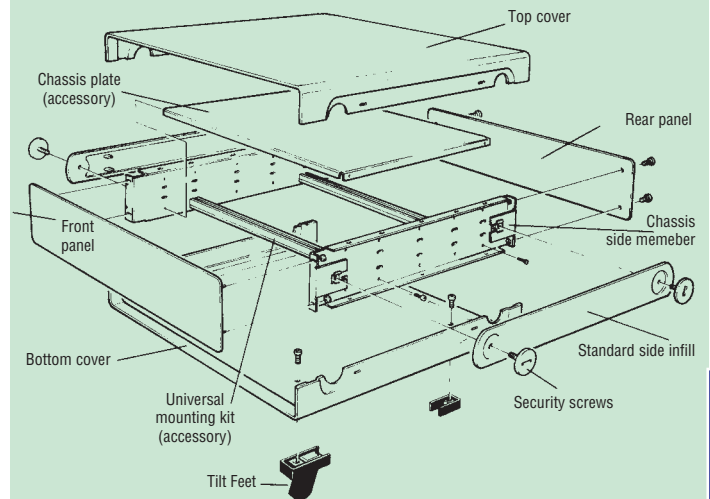
CONTENTS OF KIT

- 1 Top cover
- 1 Bottom cover
- 2 chassis side members
- 2 side infills
- 4 security screws
- 4 feet
- 1 Front panel
- 1 Rear panel
- 1 Screw kit



Total Access Cases

Exploded view



DIMENSIONAL DETAILS

TOTAL ACCESS CASE

ORDERING INFORMATION

Case reference	Overall width A	Overall depth B	Height (no feet) C	Front panel dimension	Internal depth D	Internal width E	Board width with guides fitted F	Order code
1	342	260	70	65 X 337	235	305	302,6	212-201451
2	205	260	70	65 x 200	235	168	165,6	212-201454
3	430	260	100	95 x 425	235	393	390,6	212-201457
4	305	260	100	95 x 300	235	268	265,6	212-201460
5	205	260	150	145 x 200	235	168	165,6	212-201463

CHASSIS PLATE

This may be fitted at different heights between the chassis side members and can also be inverted, thus giving a wide range of mounting heights. Supplied complete with fixings

MATERIAL: 0,9mm Zinc coated steel

For case size	A	B
1	305	185
2	168	185
3	393	185
4	268	185
5	168	185

UNIVERSAL MOUNTING KIT

This includes extrusions which fix to the chassis side members in a number of alternative positions. The fixings are fully adjustable across the width of the case, giving a universal mounting system to suit Eurocards and other circuit board sizes.

Supplied in pairs complete with fixings.

MATERIAL: Anodised aluminium.

For case size	A
1	305
2	168
3	393
4	268
5	168

CLIP IN GUIDES

These guides are available in three lengths and provide a quick and simple method of circuit board mounting for a wide range of applications. They are suitable for 1,6mm thick boards. Supplied as individual items.

CLIP IN GUIDE COMPATIBILITY

CASES 1 & 2

Will accommodate 3 sizes of clip in guide in the horizontal plane on 3 levels.

CASES 3 & 4

Will accommodate 3 sizes of clip in guide in the horizontal plane on 4 levels.

CASE 5

Will accommodate 3 sizes of clip in guide in the horizontal plane on 6 levels. It will also accept clip in guide 29-0122 on the vertical plane in various positions.

Ordering information

A	B	Order code
01,6	76,2	29-0122
139,7	76,2	29-0124
177,8	152,4	29-0126

CHASSIS PLATE/UNIVERSAL MOUNTING KIT ORDERING INFORMATION

Case reference	Front panel dimensions	Order code	Order code
		Chassis plate	Universal mounting kit
1	65 x 337	-	212-27840
2	65 x 200	212-27827G	212-27841
3	95 x 425	212-27828D	212-27842
4	95 x 300	212-27829A	212-27843
5	145 x 200	212-27827G	212-27841

